

Features

- UL F class rated standard
- Small size and light weight
- Capable of handling 1000W lamp loads
- Designed to withstand high inrush loads (100A)



Contact Data

Contact Arrangement	1A = SPST N.O. 1C = SPDT
UL Contact Ratings	20A @ 125VAC 16A @ 277VAC 10A @ 250VAC, General Purpose, 20K cycles, 85°C TV-8, 120VAC 1hp @ 125/250 N.O. 1/2hp @ 125/250 N.C.
TÜV Contact Rating	NO : 15A @ 250VAC, Resistive, 10K cycles, 85°C

Contact Resistance	< 50 milliohms initial
Contact Material	AgSnO ₂ In ₂ O ₃
Maximum Switching Power	500W, 4500VA
Maximum Switching Voltage	380VAC, 110VDC
Maximum Switching Current	20A

Coil Data

Coil Voltage VDC		Coil Resistance Ω +/- 10%		Pick Up Voltage VDC (max) 75% of rated voltage	Release Voltage VDC (min) 10% of rated voltage	Coil Power W	Operate Time ms	Release Time ms
Rated	Max	.36W	.45W					
5	6.5	70	56	3.75	0.5	.36 .45	10	5
9	11.7	225	180	6.75	0.9			
12	15.6	400	320	9.00	1.2			
24	31.2	1600	1280	18.00	2.4			
48	62.4	6400	5120	36.00	4.8			

General Data

Electrical Life @ rated load	100K cycles, typical
Mechanical Life	10M cycles, typical
Insulation Resistance	100M Ω min. @ 500VDC
Dielectric Strength, Coil to Contact	2500V rms min. @ sea level
Contact to Contact	1500V rms min. @ sea level
Shock Resistance	100m/s ² for 11 ms
Vibration Resistance	1.50mm double amplitude 10~40Hz
Terminal (Copper Alloy) Strength	10N
Operating Temperature	-55°C to +125°C
Storage Temperature	-55°C to +155°C
Solderability	260°C for 5 s
Weight	10g

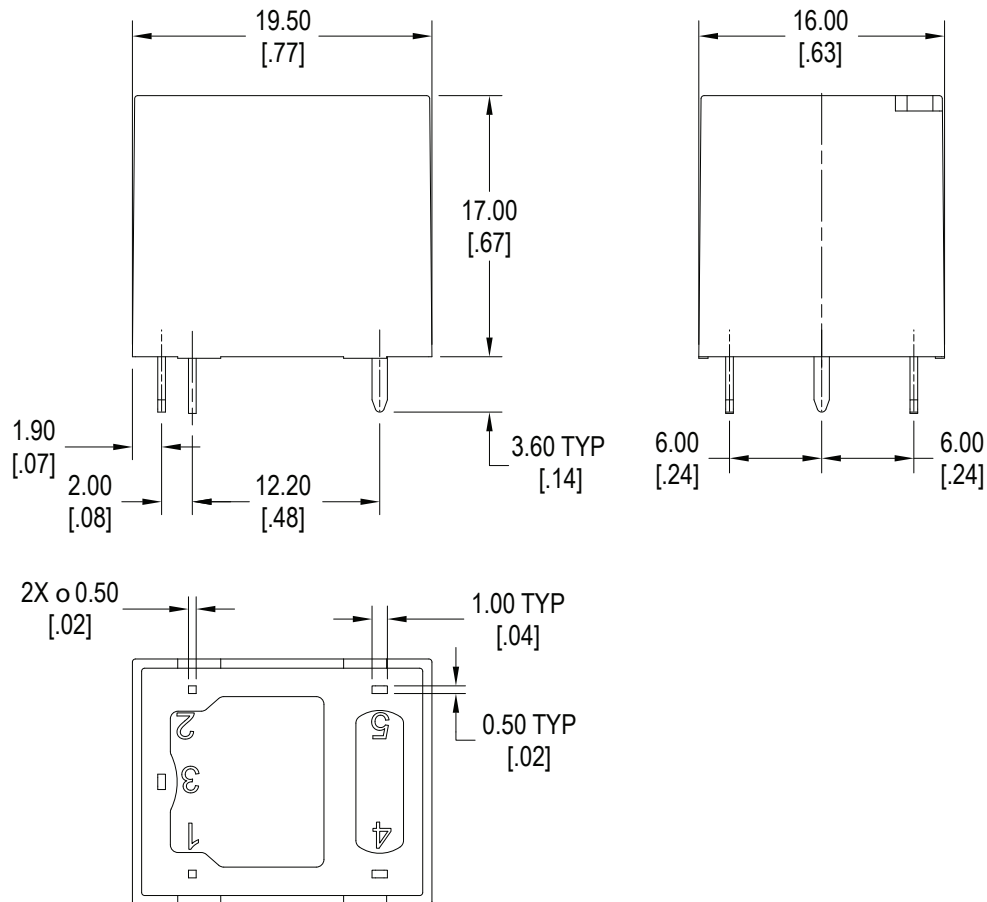
* Values can change due to the switching frequency, desired reliability levels, environmental conditions and in-rush load levels. It is recommended to test actual load conditions for the application. It is the user's responsibility to determine the performance suitability for their specific application. The use of any coil voltage less than the rated coil voltage may compromise the operation of the relay.

Ordering Information

1. Series	J123F	1C	12VDC	.36
J123F				
2. Contact Arrangement	1A = SPST N.O. 1C = SPDT			
3. Coil Voltage	5VDC 9VDC 12VDC 24VDC 48VDC			
4. Coil Power	.36 = .36W .45 = .45W			
5. Sealing Option	Blank = Sealed (standard)			

Dimensions

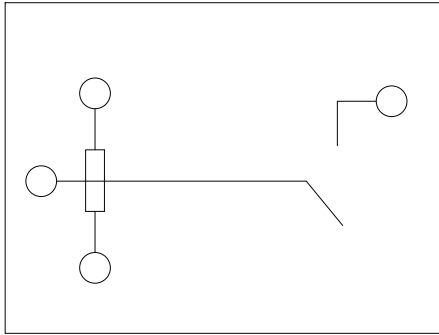
Units = mm



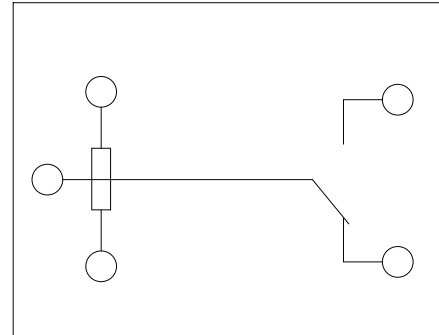
Schematics

Bottom Views

1A



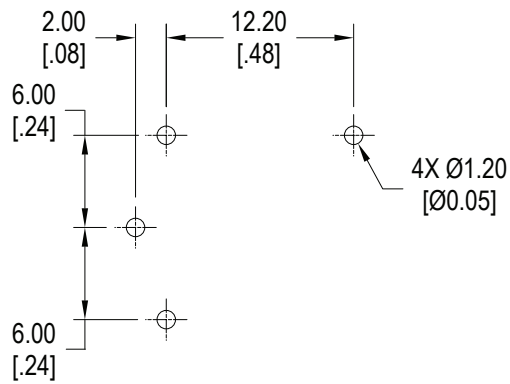
1C



PC Layouts

Bottom Views

1A



1C

